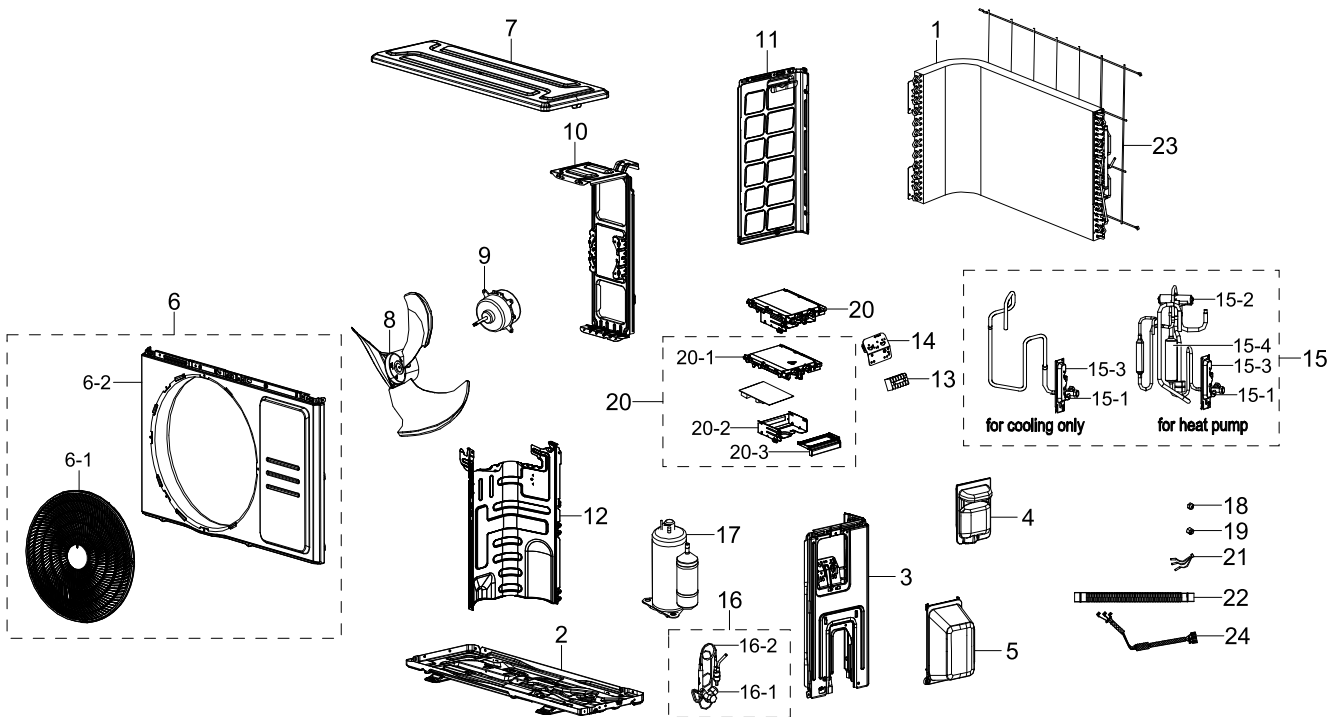


# 1. AR12TXHQASIXEU

## Exploded View



## Parts List

No.	Lvl.	Loc.	Material Code	Description & Specification	SNA	Qty.
1	1		DB82-04989A	A/S ASSY-CONDENSER; MIDEA,15822000009658,	SA	1
2	1		DB82-04846A	A/S ASSY-BASE OUT; MIDEA,12222000012131,I	SA	1
3	1		DB81-05814A	A/S-CABI SIDE RH; MIDEA,12222000013290,EU	SA	1
4	1		DB81-05429A	A/S-COVER CONTROL; MIDEA,12100701A00057,E	SA	1
5	1		DB81-05125A	A/S-COVER VALVE; AR09RSFQAWKXBG,121220000	SA	1
6	1		DB82-04847A	A/S ASSY-CABI FRONT; MIDEA,12222000012137	SA	1
6-1	2		DB81-05250A	A/S-GUARD FAN; MIDEA,12122000024226,INDIA	SA	1
6-2	2		DB81-05251A	A/S-CABINET FRONT; MIDEA,12222000012138,I	SA	1
7	1		DB81-05252A	A/S-COVER TOP; MIDEA,12222000012128,INDIA	SA	1
8	1		DB81-05253A	A/S-FAN PROPELLER; MIDEA,12100105000821,I	SA	1
9	1		DB81-05430A	A/S-MOTOR OUT; MIDEA,11002015009925,EUROP	SA	1
10	1		DB81-05255A	A/S-BRACKET MOTOR; MIDEA,12222000012140,I	SA	1
11	1		DB81-05256A	A/S-CABI SIDE LF; MIDEA,12222000012135,IN	SA	1
12	1		DB81-05257A	A/S-PARTITION; MIDEA,12222000012266,INDIA	SA	1
13	1		DB81-05815A	A/S-TERMINAL BLOCK; MIDEA,17400401003737,	SA	1
14	1		DB81-05816A	A/S-PLATE CONTROL OUT; MIDEA,122220000132	SA	1
15	1		DB82-05058A	A/S ASSY-TUBE 4WAY; MIDEA,15422000017673,	SA	1
15-1	2		DB81-05133A	A/S-SERVICE VALVE GAS 3/8; AR09RSFQAWKXBG	SA	1

## Exploded Views and Parts List

No.	Lvl.	Loc.	Material Code	Description & Specification	SNA	Qty.
15-2	2		DB81-05134A	A/S-4WAY VALVE; AR09RSFQAWKXBG,1550021600	SA	1
15-3	2		DB81-05135A	A/S-BRACKET-VALVE; AR09RSFQAWKXBG,1222200	SA	1
15-4	2		DB81-05410A	A/S-MUFFLER; MIDEA,15122000025014,MOROCCO	SA	1
16	1		DB82-05059A	A/S ASSY-TUBE CAPILLARY; MIDEA,1542200001	SA	1
16-1	2		DB81-05136A	A/S-SERVICE VALVE LIQUID 1/4; AR09RSFQAWK	SA	1
16-2	2		DB81-05431A	A/S-TUBE CAPILLARY; MIDEA,15122000011174,	SA	1
17	1		DB82-05061A	A/S ASSY-COMP; MIDEA,11103020006359,EUROP	SA	1
18	1		DB81-05087A	A/S-FLARE NUT 3/8; AR09RSFQAWKNBG,1550040	SA	1
19	1		DB81-05088A	A/S-FLARE NUT 1/4; AR09RSFQAWKNBG,1550040	SA	1
20	1		DB82-05062A	A/S ASSY-CONTROL OUT; MIDEA,1722200003113	SA	1
20-1	2		DB81-05261A	A/S-CASE CONTROL; MIDEA,12122000024223,IN	SA	1
20-2	2		DB81-05262A	A/S-CASE CONTROL LOW; MIDEA,1222200001210	SA	1
20-3	2		DB81-05263A	A/S-COVER CONTROL UP; MIDEA,1212200002422	SA	1
21	1		DB82-04852A	A/S ASSY-THERMISTER OUT; MIDEA,1120101100	SA	1
22	1		DB81-05817A	A/S-HOSE DRAIN; MIDEA,12100509000059,EURO	SA	1
23	1		DB81-05818A	A/S-GURAD COND; MIDEA,12222000012385,EURO	SA	1
24	1		DB82-04853A	A/S ASSY-CONNECTOR WIRE-COMP; MIDEA,17401	SA	1